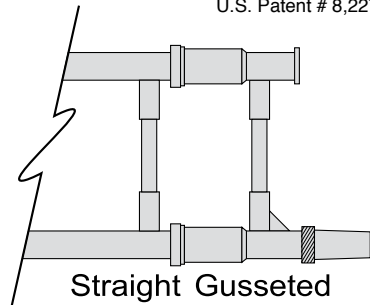


TROMBONE BUSHING/SHIM KIT

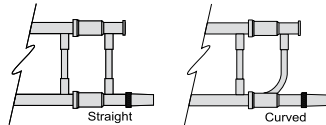
Extra parts for use with the Neotech **TROMBONE GRIP**

U.S. Patent # 8,227,676



This kit contains bushing for trombones with a *straight gusseted* support tube.

Kits also available for trombones with *straight* or *curved* support tubes.

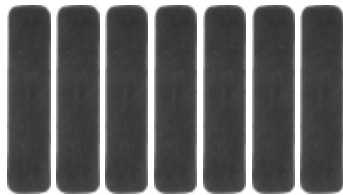


Before you begin...

Start by making sure that your Trombone Bushing/Shim Kit contains the following items:



Bushing for
Straight Gusseted Tube (2)
(inside view)



Bushing Shims (7)
(3 thicknesses)



Bushing Screws (4)

Before closing the hinge on the *bushing*, soak it in hot water for about a minute. This will help the hinge to flex more readily.



60 Seconds



Step One:

Test fit the *bushing* around the slide to see how snugly it fits. You may notice that your instrument fits differently at the front and back ends of the *bushing*.

Starting with the thinnest *shims* first, test fit the *bushing* until you can close it around the slide snugly. It does not need to be particularly tight, just snug enough to avoid slipping. Check the front end and the back end of the *bushing* to assure a good fit, selecting *shims* as necessary.



Notice that the slide on the left requires a very thin shim while the slide on the right requires a thicker shim.

Be sure to check both ends of the bushing, as different shims may be required at the opposite end.

Step Two:

To apply the *shim(s)* to the *bushing*, lay the *bushing* on a table with the inside facing up. Peel the release liner from the adhesive on the *shim* (figure b) and align the center of the *shim* to the center of the *bushing*. Also make sure that the edge of the *shim* is aligned with the edge of the *bushing*. Press the center of the *shim* to the *bushing* to tack it in place (figure c). Next, carefully close the *bushing*. Working from the tacked center of the *shim*, work around the circumference of the *bushing*, pressing the *shim* in place to adhere it to the *bushing* (figure d).

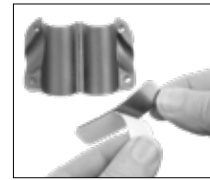


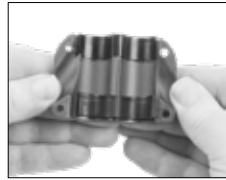
figure b



figure c



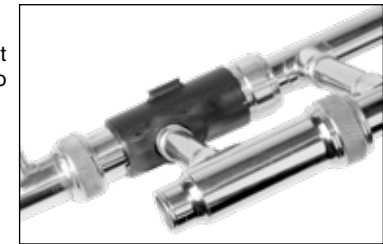
figure d



Shown: Bushing with both shims in place. It's now ready to be applied to the instrument.

Step Three:

Place the *bushing* (with *shims* applied) around the support tube on the trombone slide. Use two (2) *bushing screws* to secure it in place. Be careful not to over-tighten the screws.



Step Four:

To fasten your *hand grip* to the *bushing*, position the tab on the *bushing* into the slot on the *hand grip*, then rotate the *hand grip* as shown until the *grip clamp* "clicks" into place (figure a).

To remove the *hand grip* from the instrument for transport or storage, place your thumb along the *grip clamp* and press away from the instrument (figure b). Rotate the *hand grip* as shown (figure c) to disengage it from the instrument. The slide can now be placed in your instrument case as usual. The *hand grip* can be placed in an accessory compartment, or wrapped in a Neotech *TriPac* (sold separately) to be stored in the instrument's bell.



(figure a)



(figure b)



(figure c)

Visit Us Online:

Be sure to visit our website at www.neotechstraps.com for more information and a demonstration video for this and other products!

2029217 - gus



304 Andrea Dr.
Belgrade, MT 59714 • USA
406-388-1377 • www.neotechstraps.com
proudly made in the USA